

Product: drop in High power Circulator

Part Number: LHX-9.9<sup>^</sup>10.4-IN



Specification				
No.	Parameter	25℃	-30~+70℃	Units
1	Frequency range	9.9-10.4		GHz
2	Insertion Loss	≤0.4	≤0.5	dB
3	Isolation	≥20	≥20	dB
4	VSWR	≤1.25	≤1.3	dB
5	Impedance	50		Ω
6	Forward Power	100W/cw (Design assurance, test with the system)		
7	Operating Temperature Range	-30~+70℃		
8	Connector	Drop in (3-2×0.8×0.2mm±0.05mm)		
9	Direction	1→2→3 clockwise		
10	Preferred finish colour	silver		

Mechanical Specifications	
Housing	Alloy
Connector	stripline
Contact:	copper
Rohs	compliant
Weight	50g

### Outline Drawing:

All Dimensions in mm

Tolerances : Unnoted tolerances are in class m of GB-T1804-2000

All Connectors: drop in

成都利德尔科技有限公司 ChengDu Leader Microwave Technology Co.,Ltd

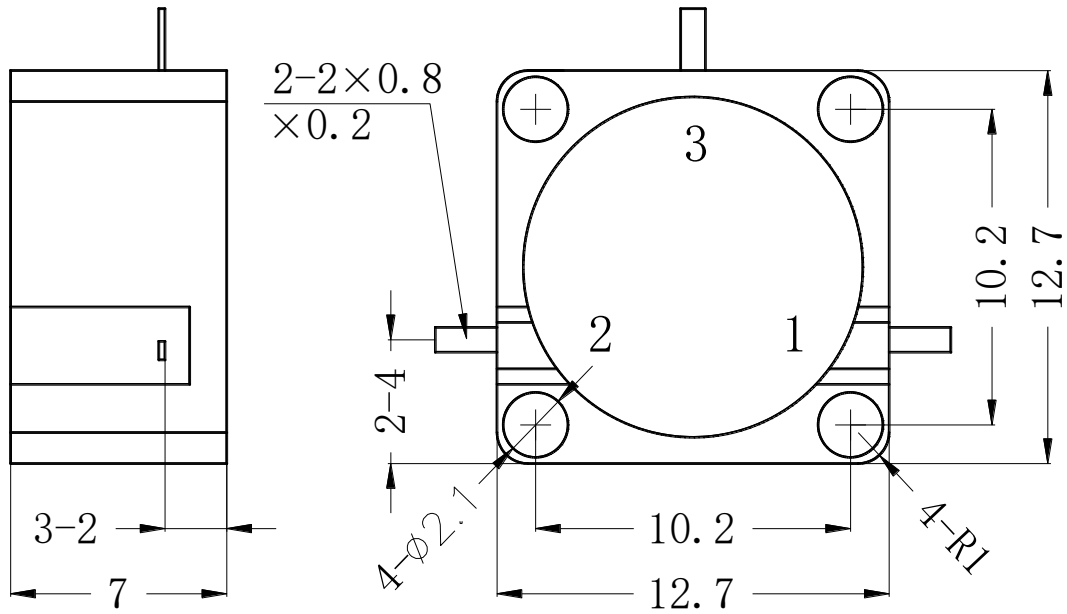
电话: 028-65199117 传真: 028-65199116

<http://www.leadermicrowave.com> [sales@leader-mw.com](mailto:sales@leader-mw.com)

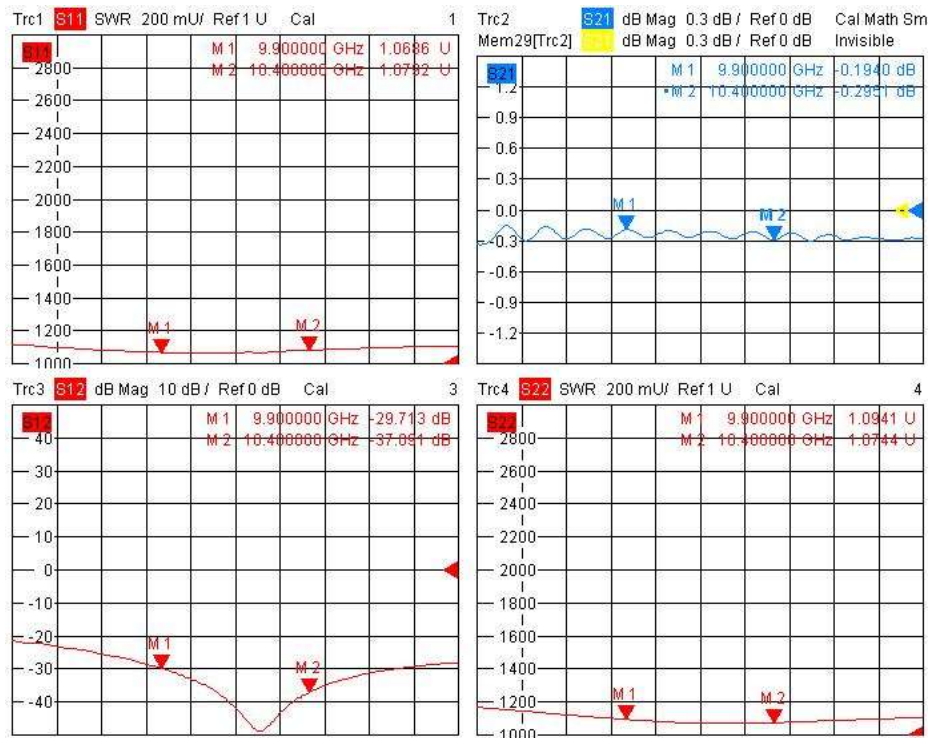
TEL: +86-28-65199117 FAX: +86-28-65199116

Add: 中国 成都市成华区华翰路 89 号 610000

No.89,Huahan Road, chenghua Zone Chengdu, Sichuan China Zip Code:610000



Test data



成都利德尔科技有限公司 ChengDu Leader Microwave Technology Co.,Ltd

电话: 028-65199117 传真: 028-65199116

<http://www.leadermicrowave.com> [sales@leader-mw.com](mailto:sales@leader-mw.com)

TEL: +86-28-65199117 FAX: +86-28-65199116

Add: 中国 成都市成华区华翰路 89 号 610000

No.89,Huahan Road, chenghua Zone Chengdu, Sichuan China Zip Code:610000